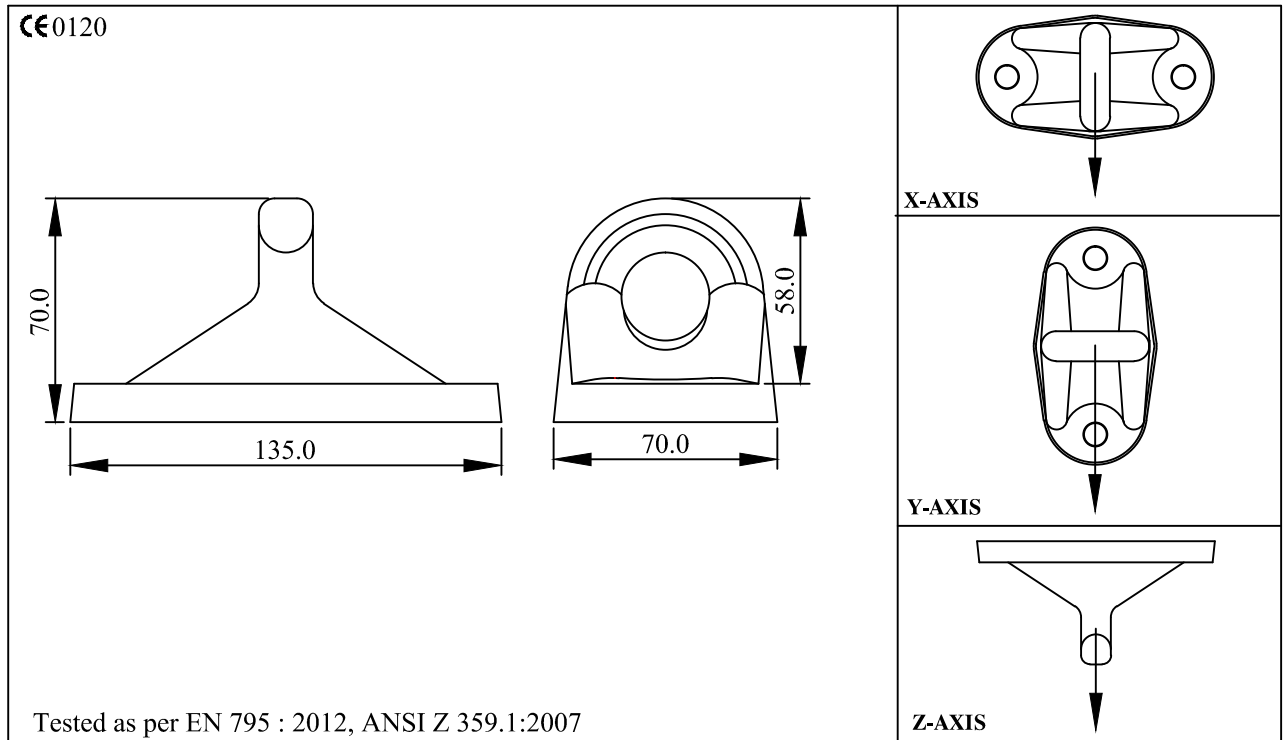


DOC NO	ISSUE	REVISION	PRODUCT REF.	DATE	QUALITY PLAN
QF/RD/05	01	00	SA09	19.02.13	
TECHNICAL SPECIFICATIONS				SIGNATURE PRESIDENT (TECHNICAL)	

SINGLE POINT ANCHOR (SA09)



DESIGN

- Single point anchor is designed to be fixed on Walls, Ceilings, Roof tops or steel structures.
- It can be used to sustain the load impact in all three axis 'X' , 'Y' & 'Z'

MATERIAL

- Aluminum Alloy

FINISH

- Natural silver/ Powder Coating

BREAKING STRENGTH

- X Axis - 23kN(min)
- Y Axis - 23kN(min)
- Z Axis - 23kN(min)

CONFORM TO THE NORM

- EN 795 : 2012 TYPE 'A' & ANSI Z 359.1:2007

WEIGHT

- 308.0 gm ±10 gm.